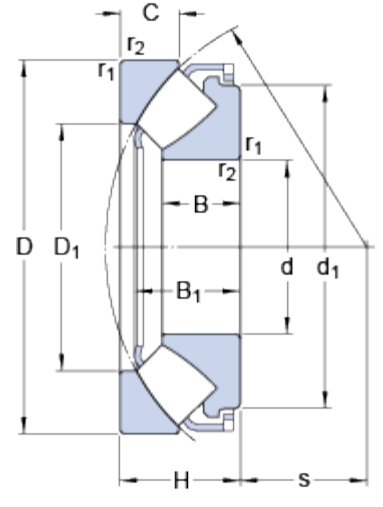




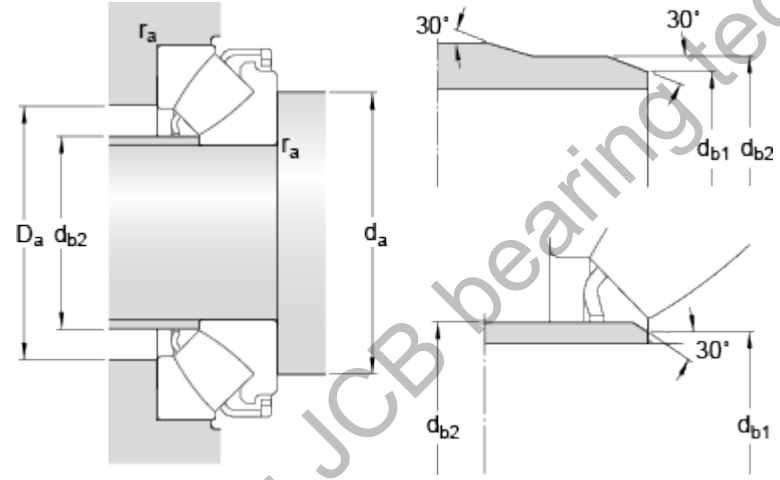
29413

Dimensions



d	65	mm
D	140	mm
H	45	mm
d ₁	≈ 120	mm
D ₁	≈ 91.5	mm
B	29.5	mm
B ₁	39.8	mm
C	22	mm
s	42	mm
r _{1,2}	min. 2	mm

Abutment dimensions



d _a	min. 100	mm
d _{b1}	max. 72	mm
d _{b2}	max. 72	mm
D _a	max. 117	mm
r _a	max. 2	mm

Calculation data

Basic dynamic load rating	C	455	kN
Basic static load rating	C ₀	1080	kN
Fatigue load limit	P _u	137	kN
Reference speed		2600	r/min
Limiting speed		4800	r/min
Minimum axial load factor	A	0.11	

Mass

Mass bearing		3.2	kg
--------------	--	-----	----